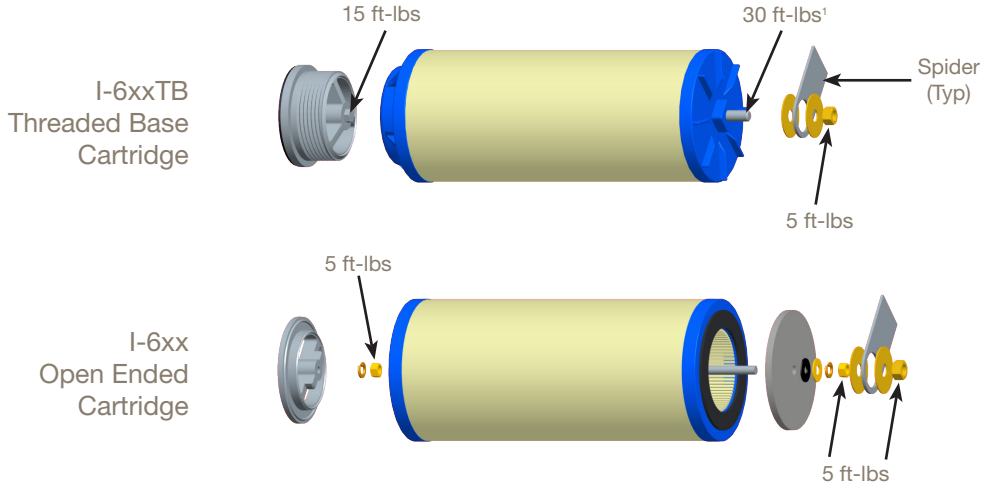


Assembly Torque Specifications

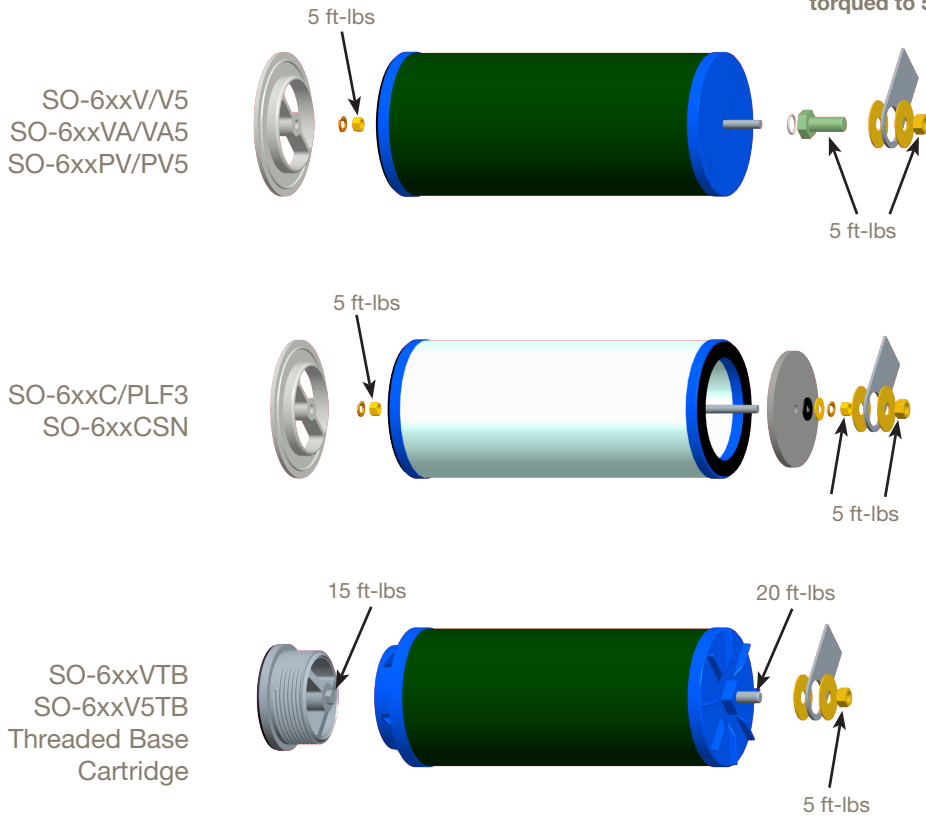
COALESCER CARTRIDGES

¹10 ft-lbs for I-4xxT coalescers



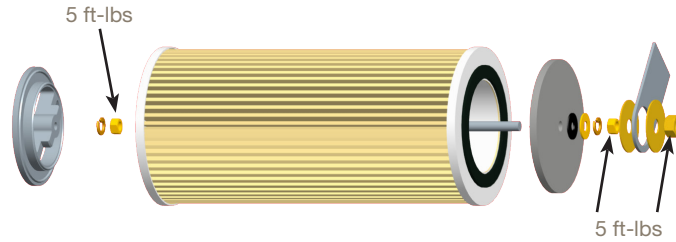
SEPARATOR CARTRIDGES²

²All 3" and 4" separators should be torqued to 5 ft-lb on both ends.

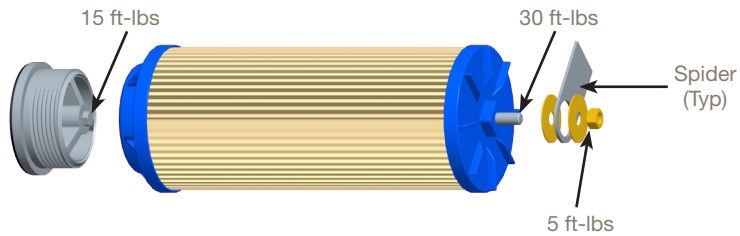


FILTER CARTRIDGES

FO-6xxPLF
FO-6xxFG
FO-6xxA3

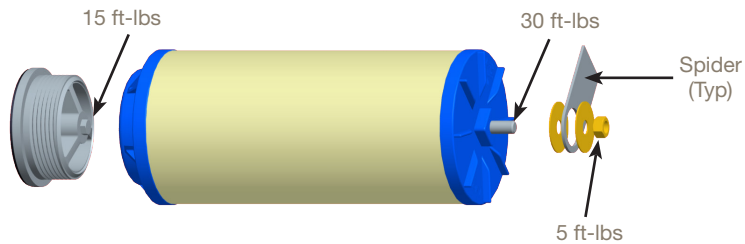


FO-6xxPLFTB
Threaded Base
Cartridge

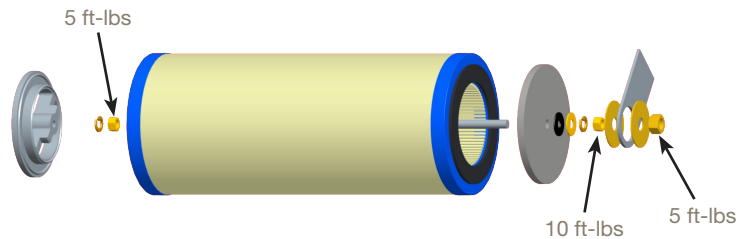


Aquacon® CARTRIDGES

ACO-6xxTB
AC-6xxTB
AD-6xxTB
Threaded Base
Cartridge



AC, ACO,
ASL, AD
Open Ended
Cartridge



TORQUE CONVERSION TABLE

ft-lbs	inch-lbs	kg-m	N-m
5	60	0.69	6.78
10	120	1.38	13.56
15	180	2.07	20.34
20	240	2.77	27.12
30	360	4.15	40.67

© 2018 Parker Hannifin Corporation. Product names are trademarks or registered trademarks of their respective companies.

VEL1801R8 0318



Parker Hannifin Corporation
Aerospace Filtration Division
1210 Garden of the Gods Road
Colorado Springs, CO 80907 USA
tel +1 719 531 5855
www.velcon.com | www.parker.com